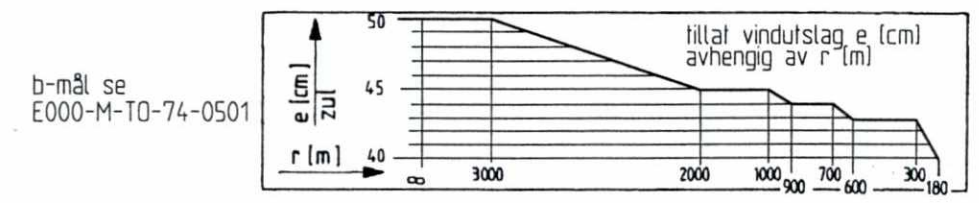
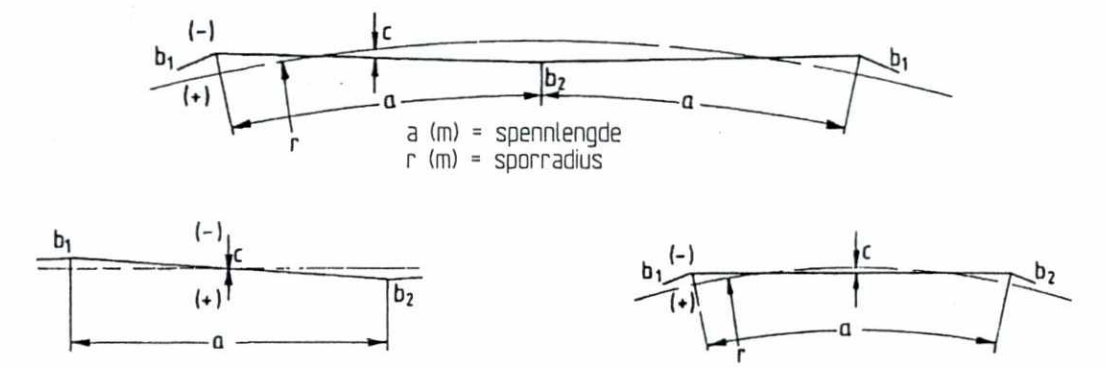


r(m) \ a(m)	65	64	63	62	61	60	59	58	57	56	55	54	53	52	51	50	49	48	47	46	45	44	43	42	41	40
∞	0	0	0	0	0	0	0	0	0	0	0	0	0	0	0	0	0	0	0	0	0	0	0	0	0	0
50000	0	+1	+1	+1	+1	+1	+1	+1	+1	+1	+1	+1	+1	+1	+1	+1	+1	+1	+1	+1	+1	0	0	0	0	0
10000	0	+1	+2	+2	+2	+2	+2	+2	+2	+2	+2	+2	+2	+2	+2	+2	+2	+1	+1	+1	+1	+1	+1	+1	+1	+1
7500	+1	+3	+4	+4	+5	+6	+6	+6	+6	+5	+5	+5	+5	+5	+4	+4	+4	+4	+4	+4	+3	+3	+3	+3	+3	+3
7200	+1	+3	+4	+4	+5	+6	+6	+6	+6	+5	+5	+5	+5	+5	+4	+4	+4	+4	+4	+4	+3	+3	+3	+3	+3	+3
6900		+3	+4	+4	+5	+6	+6	+6	+6	+6	+5	+5	+5	+5	+5	+4	+4	+4	+4	+4	+4	+3	+3	+3	+3	+3
6600			+5	+5	+5	+6	+7	+6	+6	+6	+6	+5	+5	+5	+5	+5	+4	+4	+4	+4	+4	+4	+3	+3	+3	+3
6300				+5	+6	+7	+7	+7	+7	+6	+6	+6	+6	+5	+5	+5	+5	+5	+4	+4	+4	+4	+4	+4	+3	+3
6000					+6	+7	+7	+7	+7	+7	+6	+6	+6	+6	+5	+5	+5	+5	+5	+4	+4	+4	+4	+4	+4	+3
5700						+7	+8	+7	+7	+7	+7	+6	+6	+6	+6	+5	+5	+5	+5	+5	+4	+4	+4	+4	+4	+4
5200							+8	+8	+8	+8	+7	+7	+7	+7	+6	+6	+6	+6	+5	+5	+5	+5	+5	+4	+4	+4
4700								+9	+9	+9	+8	+8	+8	+7	+7	+7	+6	+6	+6	+6	+5	+5	+5	+5	+4	+4
4300	-3	-5	-6	-7	-9	-11	-12	+10	+9	+9	+9	+8	+8	+8	+8	+7	+7	+7	+6	+6	+6	+6	+5	+5	+5	+5
4000	-3	-5	-6	-7	-9	-11	-12	-13	+10	+10	+9	+9	+9	+8	+8	+8	+8	+7	+7	+7	+6	+6	+6	+6	+5	+5
3800	-3	-5	-6	-7	-9	-11	-12	-13	+10	+10	+10	+10	+9	+9	+9	+8	+8	+8	+7	+7	+7	+6	+6	+6	+6	+5
3800								-15																		
3630	-3	-5	-6	-8	-9	-11	-12	-13	-15	+11	+10	+10	+10	+9	+9	+9	+8	+8	+8	+7	+7	+7	+6	+6	+6	+6
3630									-16																	
3310	-3	-5	-6	-8	-9	-11	-12	-13	-15	-16	+11	+11	+10	+10	+9	+9	+9	+8	+8	+8	+7	+7	+7	+6	+6	+6
3310										-17																
3170	-3	-5	-6	-8	-9	-11	-12	-13	-15	-16	-17	-19	+11	+11	+10	+10	+9	+9	+9	+8	+8	+8	+7	+7	+7	+6
3170												-18														
3025	-3	-5	-6	-8	-9	-11	-12	-13	-15	-16	-17	-18	+11	+11	+10	+10	+10	+10	+9	+9	+8	+8	+8	+7	+7	+7
3025													-18													
2885	-3	-5	-6	-8	-9	-10	-12	-13	-14	-15	-17	-17	-18	-18	+11	+11	+10	+10	+10	+9	+9	+8	+8	+8	+7	+7
2885														-18												
2750	-2	-4	-5	-7	-9	-10	-11	-12	-14	-15	-16	-17	-17	-18	-18	+11	+11	+10	+10	+10	+9	+9	+8	+8	+8	+7
2750															-18											
2620	-2	-3	-5	-6	-8	-9	-10	-12	-13	-14	-16	-16	-17	-17	-18	-18	+11	+11	+11	+10	+10	+9	+9	+8	+8	+8
2620																-18										
2490	-1	-3	-4	-6	-7	-8	-10	-11	-12	-14	-15	-16	-16	-17	-17	-18	+11	+11	+11	+10	+10	+9	+9	+8	+8	+8
2490																	-18									
2370	-1	-2	-4	-5	-6	-8	-9	-10	-12	-13	-14	-15	-15	-16	-16	-17	-17	-18	+12	+11	+11	+10	+10	+9	+9	+8
2370																										
2250	0	-2	-3	-5	-6	-7	-9	-10	-11	-12	-13	-14	-14	-15	-16	-16	-17	-17	-18	+12	+11	+11	+10	+10	+9	+9
2250																										
2150	0	-1	-3	-4	-5	-6	-8	-9	-10	-12	-12	-13	-14	-14	-15	-15	-16	-17	-17	-18	+12	+11	+11	+10	+10	+9
2150																										
2025		-1	-2	-3	-5	-6	-8	-9	-9	-10	-11	-12	-13	-13	-14	-15	-15	-16	-16	-17	-18	+12	+11	+11	+10	+10
2025																										
1915		-1	-2	-3	-5	-6	-7	-8	-9	-10	-10	-11	-12	-12	-13	-14	-14	-15	-16	-16	-17	-17	+12	+12	+11	+10
1915																										
1815		-1	-2	-3	-4	-5	-6	-7	-8	-8	-9	-10	-11	-11	-12	-13	-13	-14	-15	-15	-16	-17	-17	+12	+12	+11
1815																										
1790		-1	-2	-3	-4	-5	-6	-7	-7	-8	-9	-10	-10	-11	-12	-13	-13	-14	-15	-15	-16	-16	-17	-18	+12	+11
1715		0	-1	-2	-3	-4	-5	-5	-6	-7	-8	-9	-10	-10	-11	-12	-13	-13	-14	-15	-15	-16	-17	-17	+12	+12
1715																										
1700		+1	-1	-2	-3	-4	-4	-5	-6	-7	-8	-9	-9	-10	-11	-12	-12	-13	-14	-14	-15	-16	-16	-17	-18	+12
1540		+3	+2	+1	0	-1	-2	-3	-4	-5	-5	-6	-7	-8	-9	-10	-11	-11	-12	-13	-14	-14	-15	-16	-16	-17
1430			+5	+4	+3	+1	0	-1	-2	-4	-5	-5	-6	-7	-8	-9	-10	-11	-12	-12	-13	-14	-15	-15	-16	-16
1330				+6	+5	+4	+3	+2	+1	-1	-2	-3	-4	-5	-6	-7	-7	-8	-9	-10	-11	-12	-13	-13	-14	-15
1250					+7	+6	+5	+4	+2	+1	0	-1	-2	-3	-4	-5	-6	-7	-8	-9	-10	-11	-12	-12	-13	-14
1170						+8	+7	+6	+5	+4	+2	+1	0	-1	-2	-3	-4	-5	-6	-7	-8	-9	-10	-11	-12	-13
1080							+10	+9	+7	+6	+5	+4	+3	+1	0	-1	-2	-3	-4	-6	-7	-8	-9	-10	-10	-11
1015								+11	+10	+9	+7	+6	+5	+3	+2	+1	0	-2	-3	-4	-5	-6	-7	-8	-9	-10
1015									+12	+11	+9	+8	+7	+5	+4	+3	+1	0	-1	-2	-4	-5	-6	-7	-8	-9
910										+13	+12	+10	+9	+7	+6	+4	+3	+2	0	-1	-2	-3	-5	-6	-7	-8
850											+14	+13	+11	+10	+8	+7	+5	+4	+2	+1	0	-2	-3	-4	-5	-6

r(m) \ a(m)	65	64	63	62	61	60	59	58	57	56	55	54	53	52	51	50	49	48	47	46	45	44	43	42	41	40
800																										
750																										
705																										
665																										
630																										
600																										
565																										
530																										
495																										
465																										
435																										
408																										
382																										
358																										
357																										
f <sub>w</sub> [cm]	45,5	44,1	42,8	41,4	40,1	38,8	37,5	36,3	35,0	33,8	32,6	31,4	30,3	29,1	28,0	26,9	25,9	24,8	23,8	22,8	21,8	20,9	19,9	19,0	18,1	17,2

r(m) \ a(m)	37	35	32	29
357	+18	+13	+6	-1
300	+27	+21	+13	+5
299	+30	+21	+13	+5
260		+29	+19	+10
259		+29	+19	+11
220		+30	+28	+18
219			+28	+18
180			+30	+28
f <sub>w</sub> [cm]	14,7	13,2	11,0	9,0



c-mål i cm  
f (cm) = Kontaktledningens vindutsvingning