

ABB Kraft AS

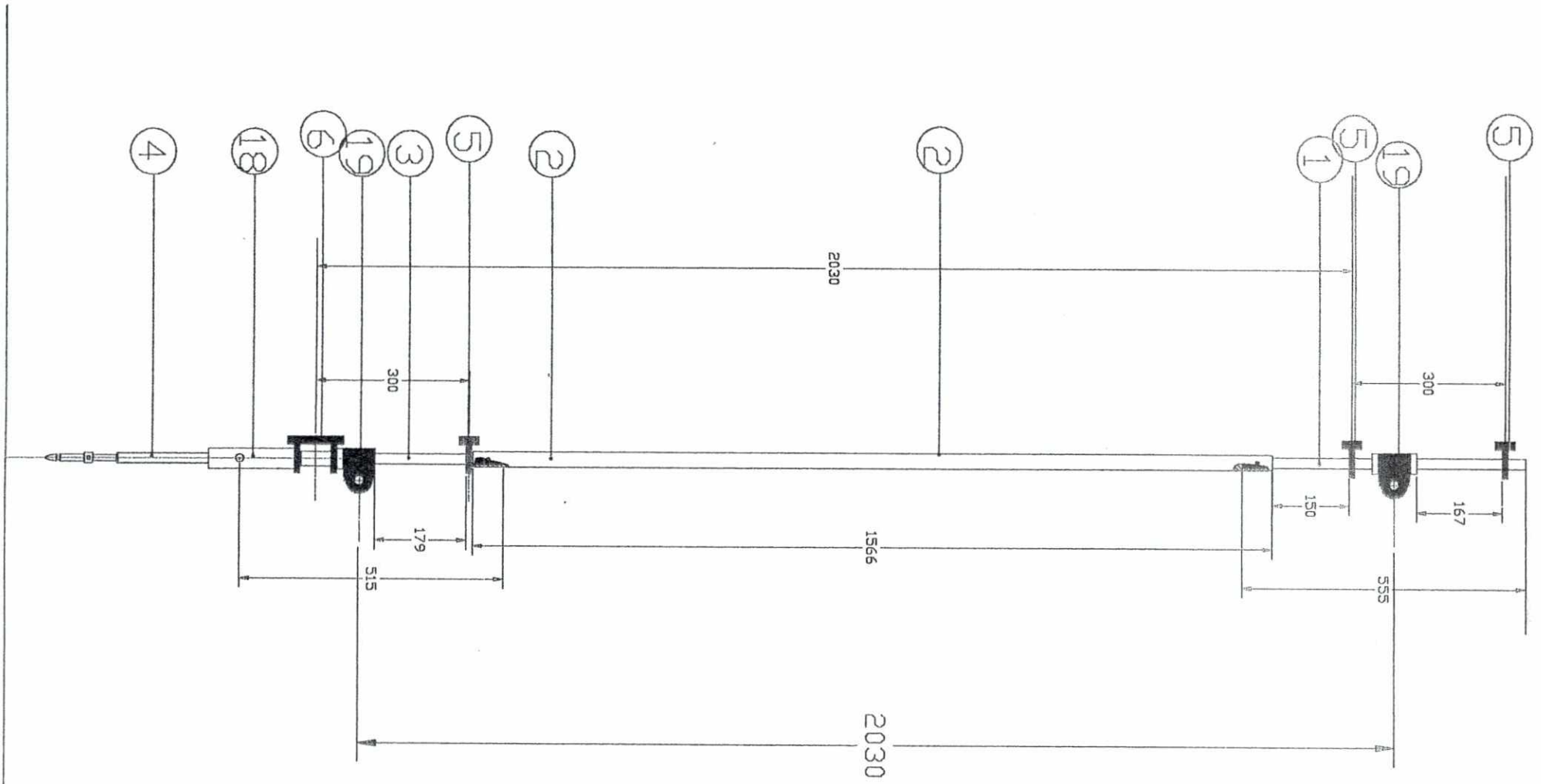
Kontrakt K1839 - Strømforsyningsanlegg for Gardermobanen


NSB Gardermobanen A/S

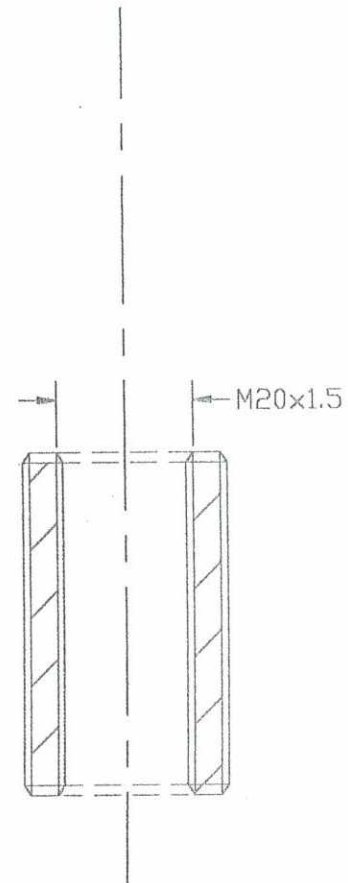
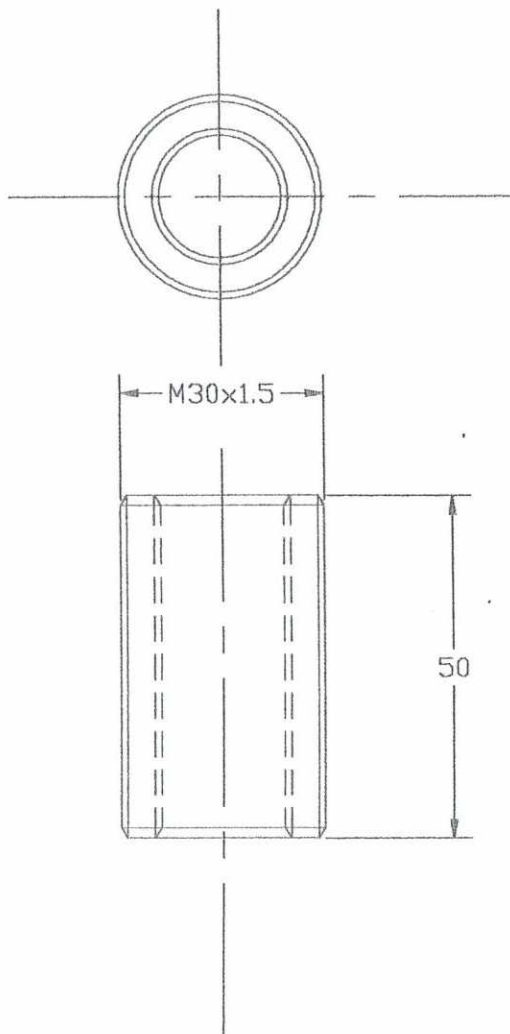
Antall sider : 14

SLUTTDOKUMENTASJON


F01	04.11.99	Som bygget	GMB	ALA	ALA
Rev	Dato	Endring - erstatning	Tegn.	Saksbeh.	Sign.
NSB Gardermobanen A/S			Dato 28.11.96		
			Saksbeh.		
ABB Kraft AS - kontrakt K-1839			DA		
Kontrakts nr:	Leverandør:		OA		
K-1839	AMA Engineering AS		Dak nr.		
Avstand Oslo S	Leverandør tegn. nr.		Hor. M:		
			Vert. M:		
Parsell			Ark. bet.		
Område:			Erstatning for		
Tekst - beskrivelse Justerbar utliggerkonsoll			Områdekode E000		
ABB Kraft Tegn. nr.			Rev.		
NSB Tegn. nr. E000-M-TD-74-0130			Rev. F01		

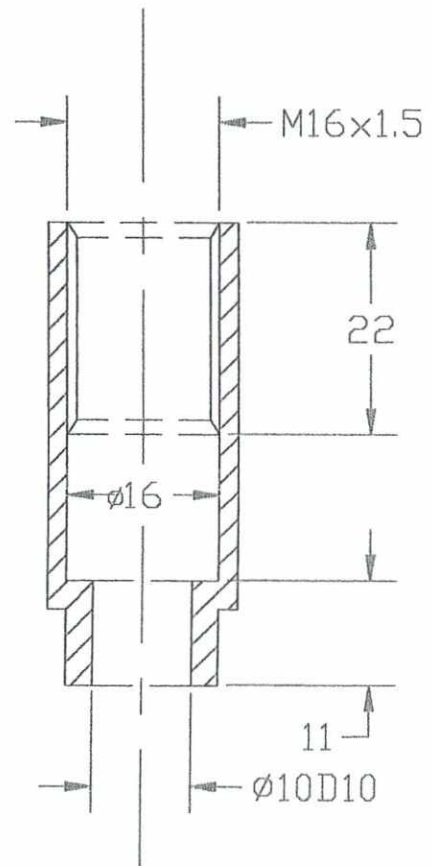
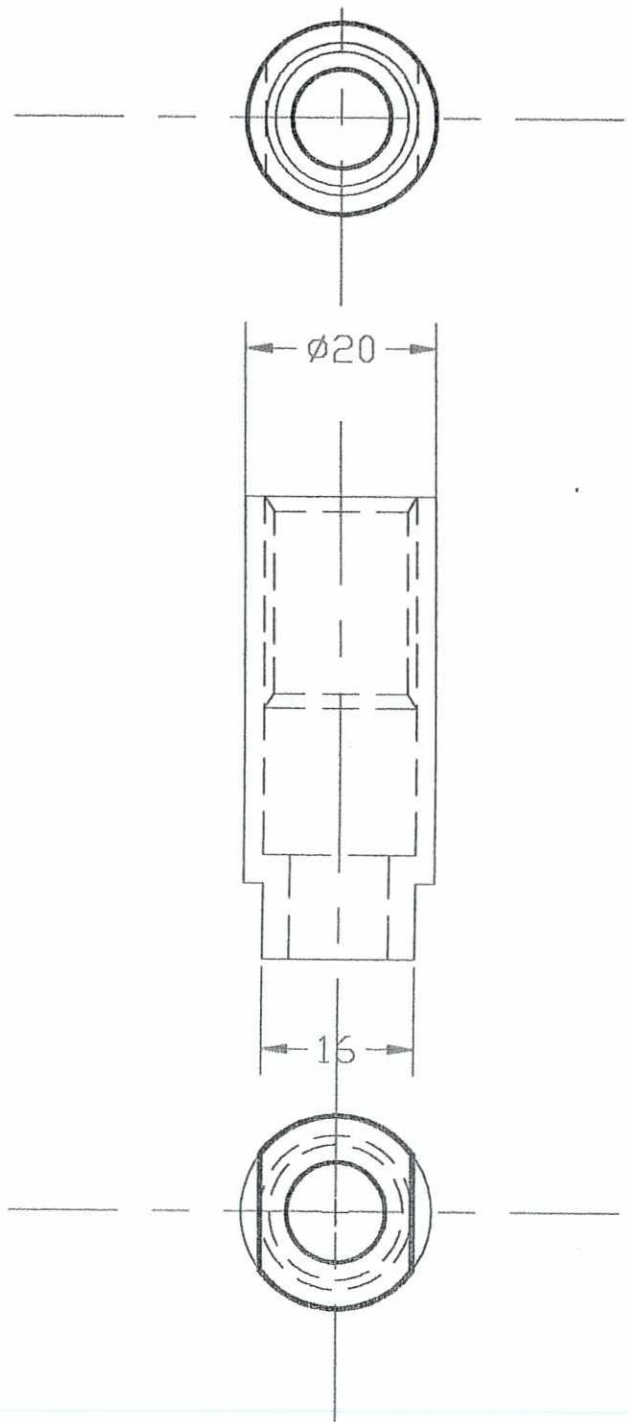


 AMR AMR ENGINEERING AS <small>This drawing is a property of AMR Engineering A/S and shall not be reproduced or filed without the written consent of AMR Engineering A/S.</small>	NSB-GARDEMOBANEN AS Justerbar utliggerkonsoll	Dato : 28. nov -96 Konstr : PHM/BJH
		Tegnr nr 20




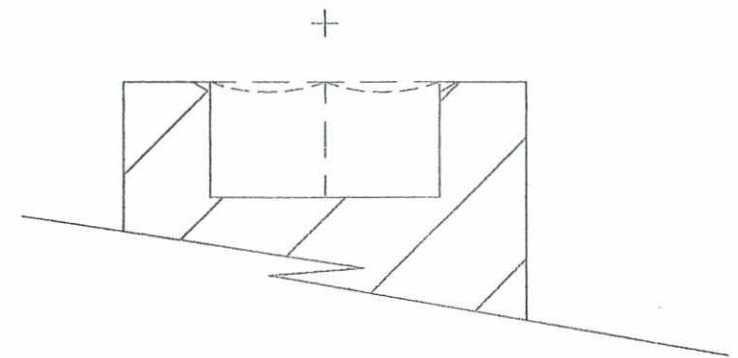
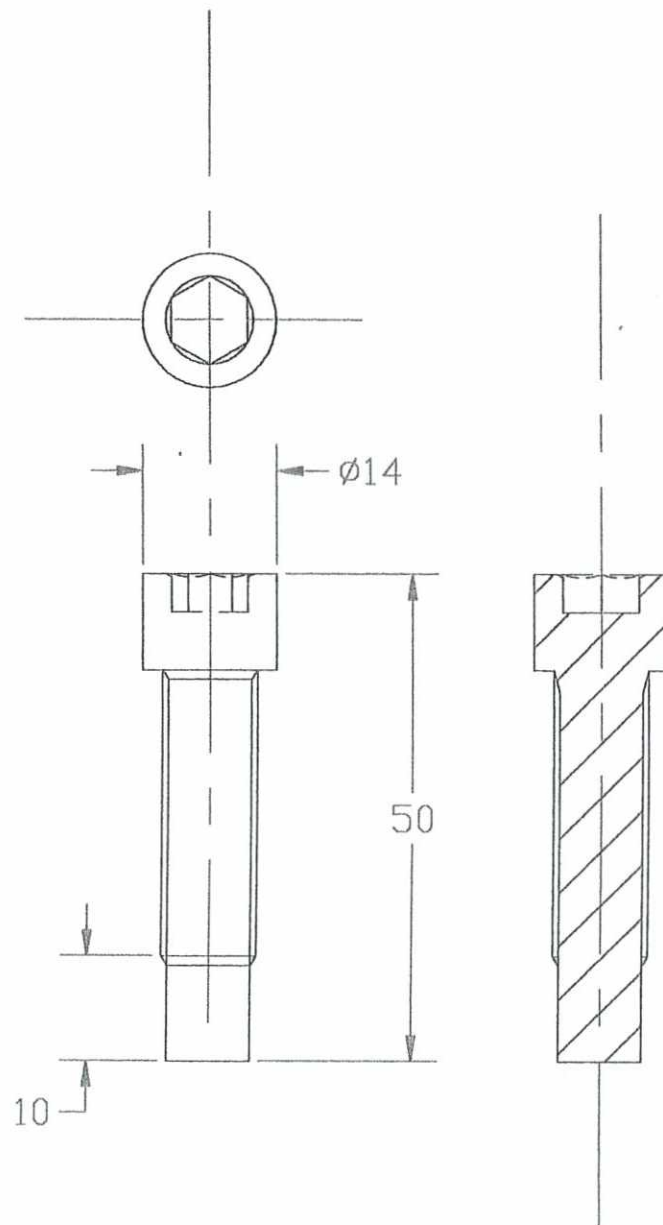
1 : Bly-bronse $\varnothing 30 \times 50$

 AMR AMR ENGINEERING AS	NSB-GARDEMOBANEN AS	Date : 20. nov -96
	Justerbar utliggerkonsoll	Konstr : PHM/BJH
	Del nr 7	
<small>This drawing is a property of AMR Engineering AS and shall not be copied or reproduced in any form without the written consent of AMR Engineering AS.</small>	Nedre lager	
	Gjengeboss	




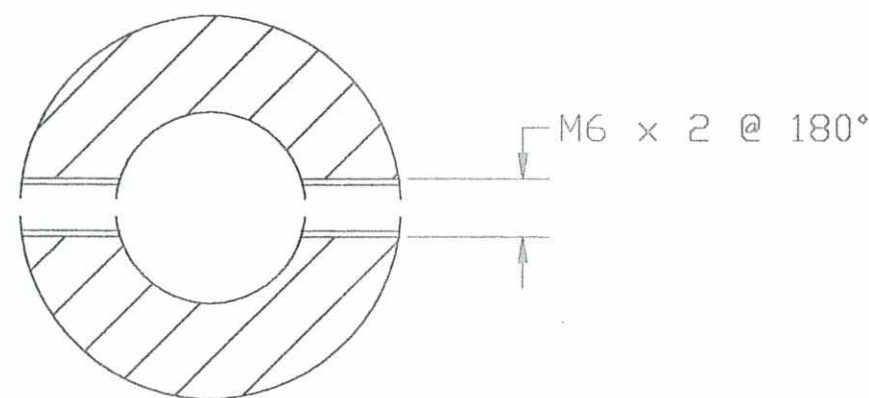
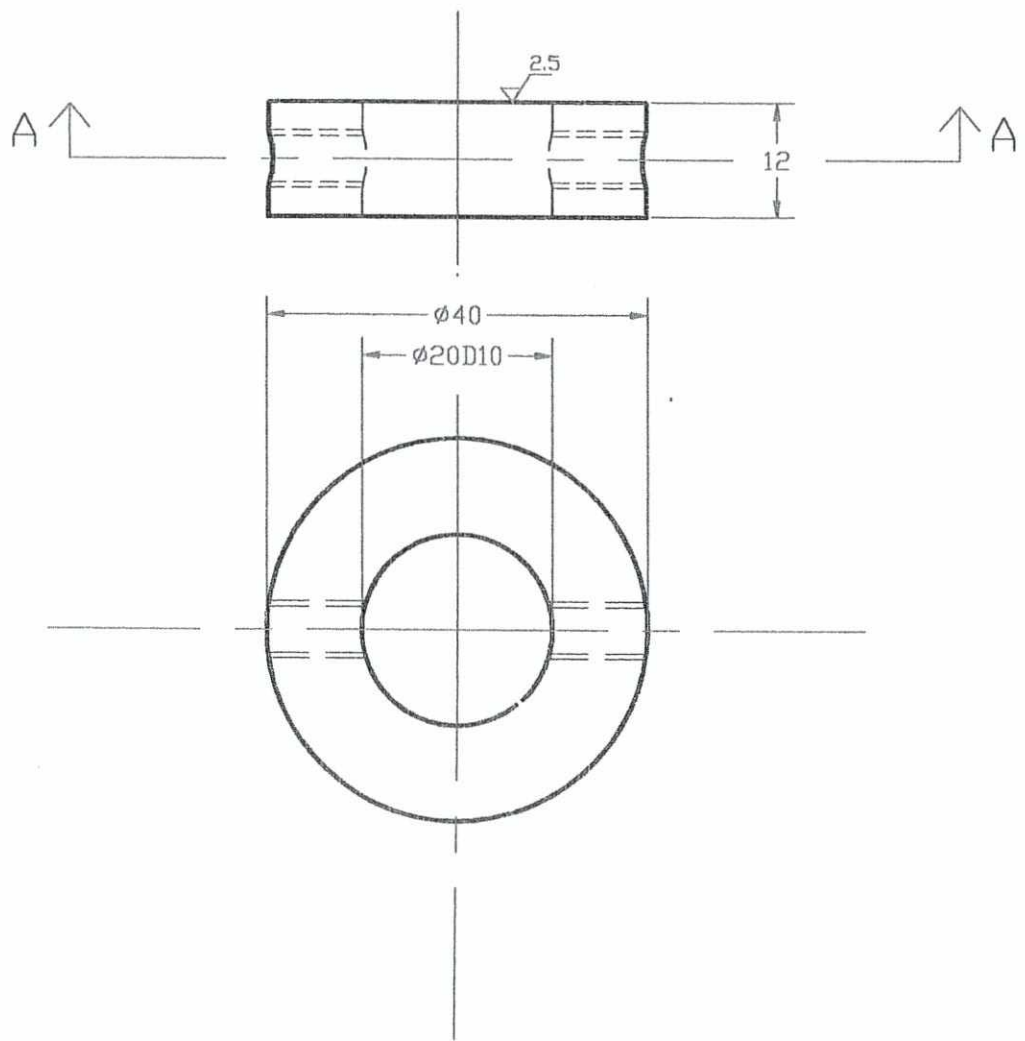
1 : Rustfri Ø20 x 37

 AMR ENGINEERING AS	NSB-GARDEMOBANEN AS	Date : 20. nov -96
	Justerbar utliggerkonsoll del nr 8	Konstr : PHN/BJH
<small>This drawing is a property of AMR Engineering AS and shall not be used or copied in whole or in part without the written consent of AMR Engineering AS.</small>	Nedre lager Hylse for kule	




1 : M10 x 30 rustfrie unbrako

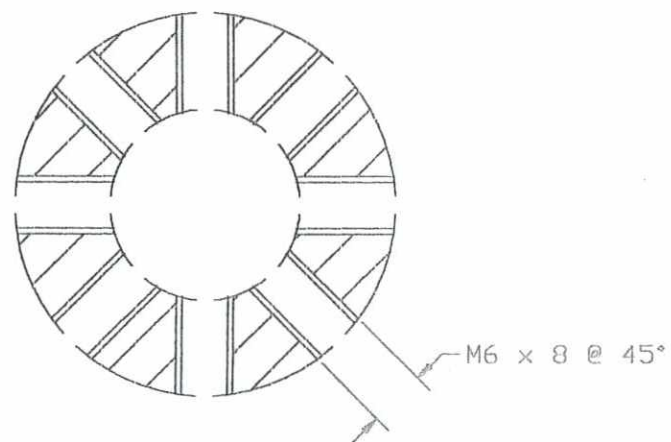
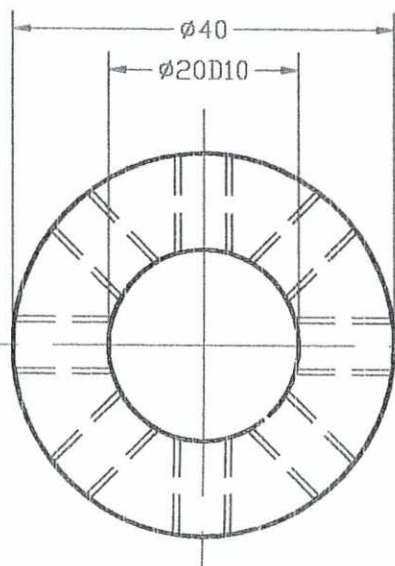
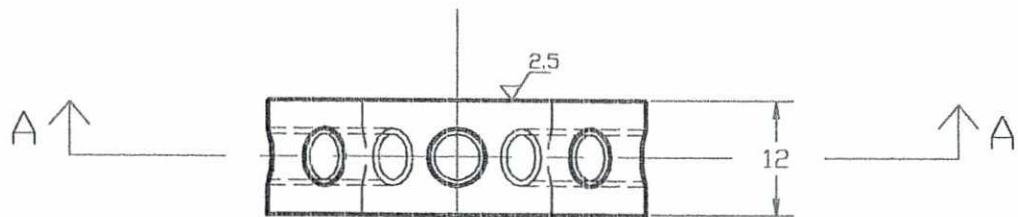
 AMR ENGINEERING AS	NSB-GARDEMOBANEN AS	Date : 29. nov -96
	Justerbar utliggerkonsoll	Konstr : PHM/BJH
<small>This drawing is a property of AMR Engineering A/S and shall not be re-used without the written consent of AMR Engineering A/S.</small>		Tegn nr 10
	Nedre lager Svingskrue	



Snitt A-A

1 : Rustfri $\varnothing 40 \times 12$

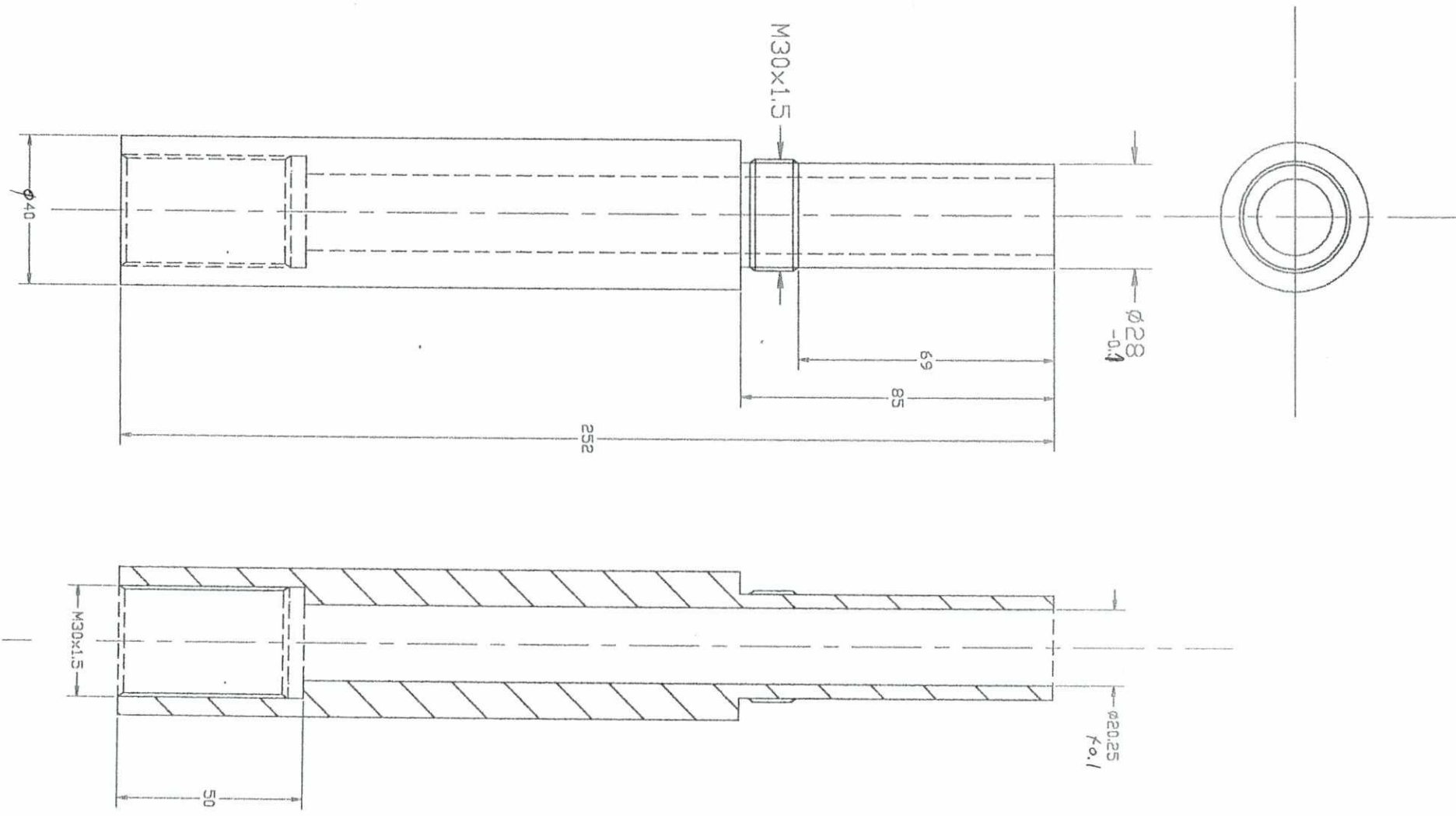
 AMR AMR ENGINEERING AS <small>This drawing is a property of AMR Engineering A/S and shall not be used or copied without the written consent of AMR Engineering A/S.</small>	NSB-GARDEMOBANEN AS Justerbar utliggerkonsoll	Dato : 20. nov -96 Konstr : PHH/BJH
	Øvre låsering	Tegnr nr 11




Snitt A-A

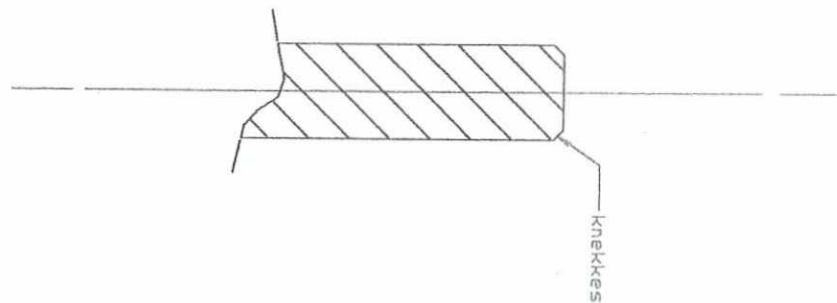
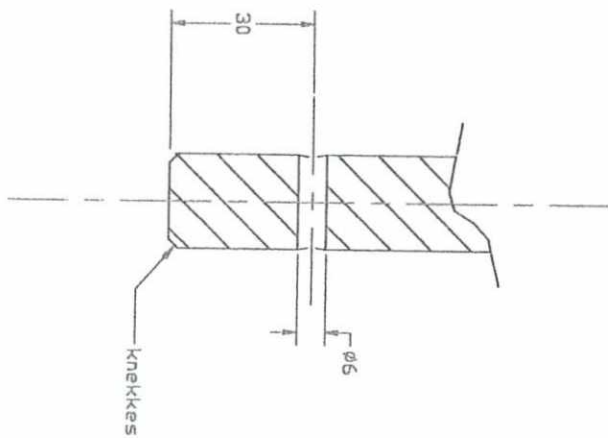
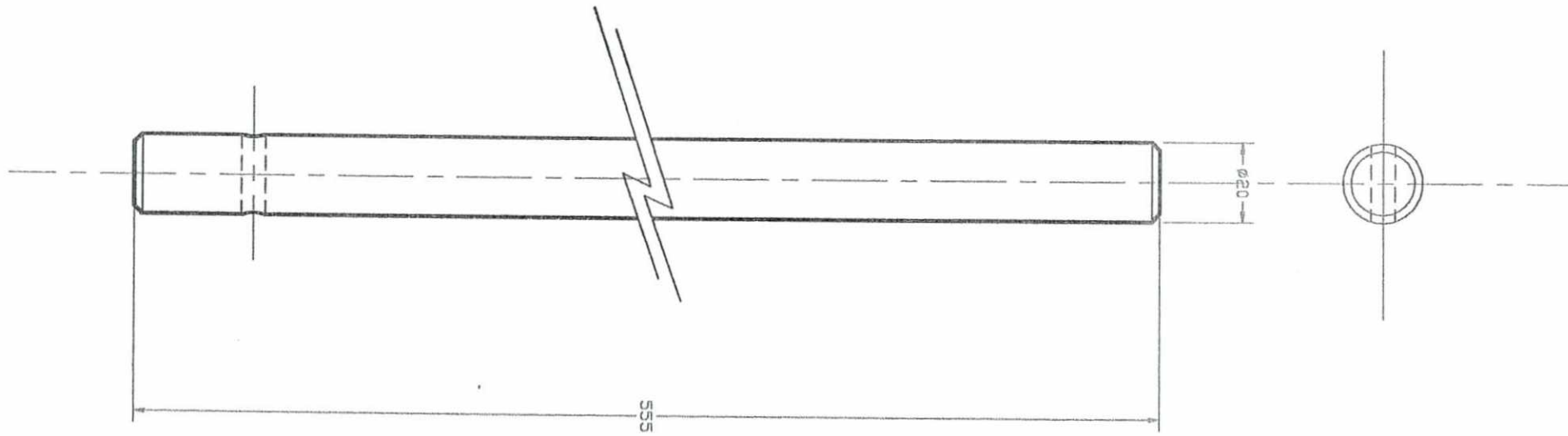
1 : Rustfri $\varnothing 40 \times 12$

 AMR ENGINEERING AS	NSB-GARDEMOBANEN AS	Date : 25. nov -96
	Justerbar utliggerkonsoll	Konstr : PHM/BJH
<small>This drawing is a property of AMR Engineering AS and shall not be used in any form without the written consent of AMR Engineering AS.</small>		Tegn nr 12
	Nedre låsering	




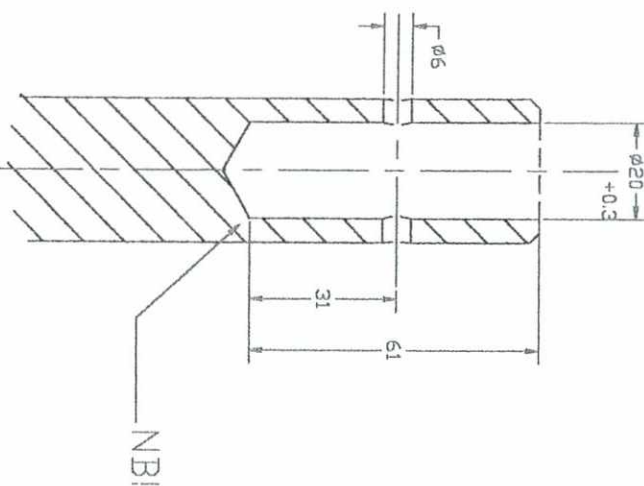
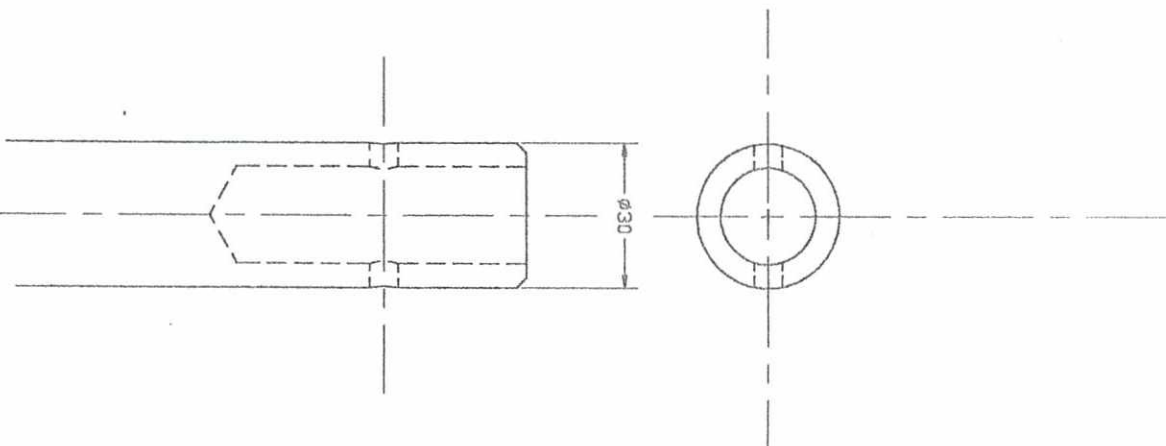
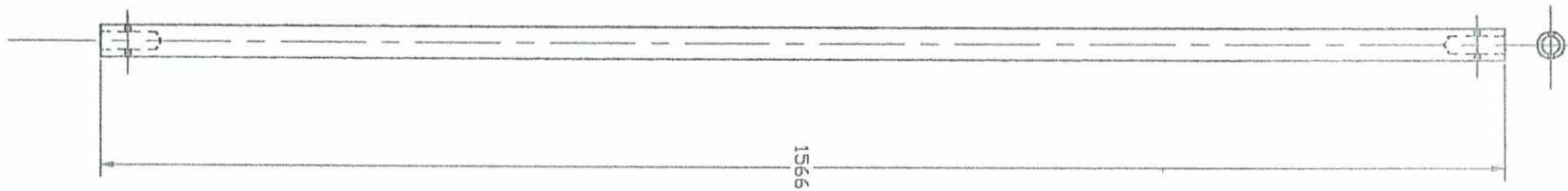
1 : Aluminium 6082 -T6 $\phi 40 \times 252$
 Evnt. 2011-T3

 AMR ENGINEERING AS	NSB-GARDEMOBANEN AS	Date : 20. nov -96
	Justerbar utliggerkonsoll	Konstr : PHM/BJH
<small>This drawing is a property of AMR Engineering A/S and shall not be reproduced in full or in part without the written consent of AMR Engineering A/S.</small>	<i>del nr 18</i>	
	Nedre lager Hylse for gjengeboss	




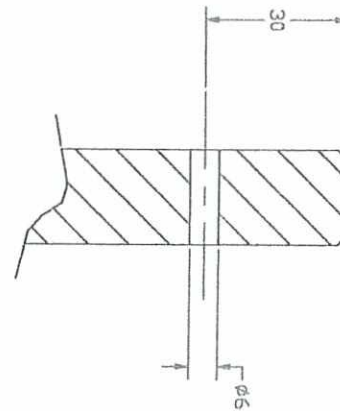
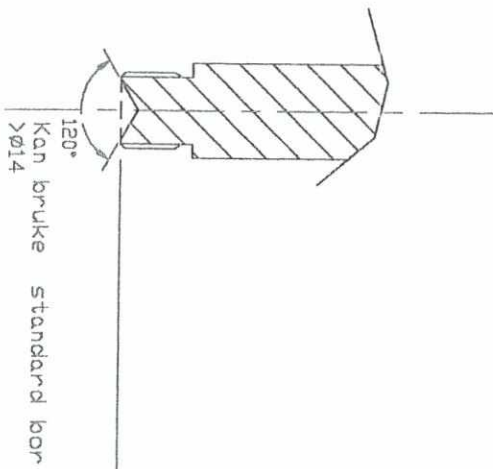
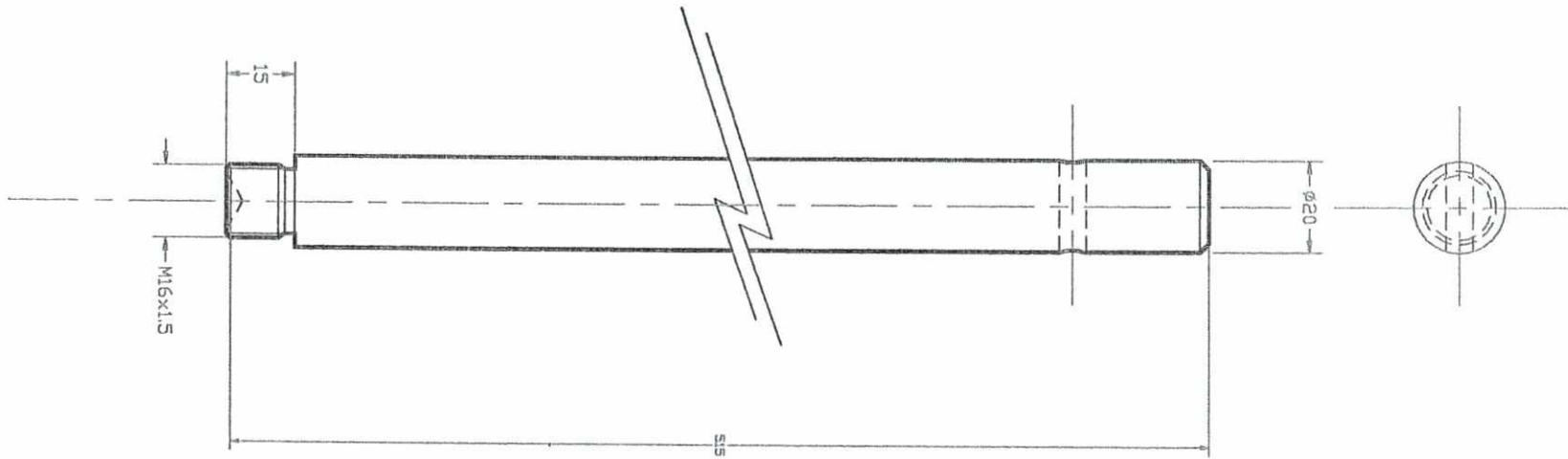
1 : Rustfri m165 $\varnothing 20 \times 555$

 AMR AMR ENGINEERING AS	NSB-GARDEMOBANEN AS	Date : 26. nov -96
	Justerbar utliggerkonsoll	Konstr : PHA/BJH
<small>This drawing is a property of AMR Engineering A/S and shall not be reproduced in any part without the written consent of AMR Engineering A/S.</small>	Del nr 1	
	Øvre aksel	




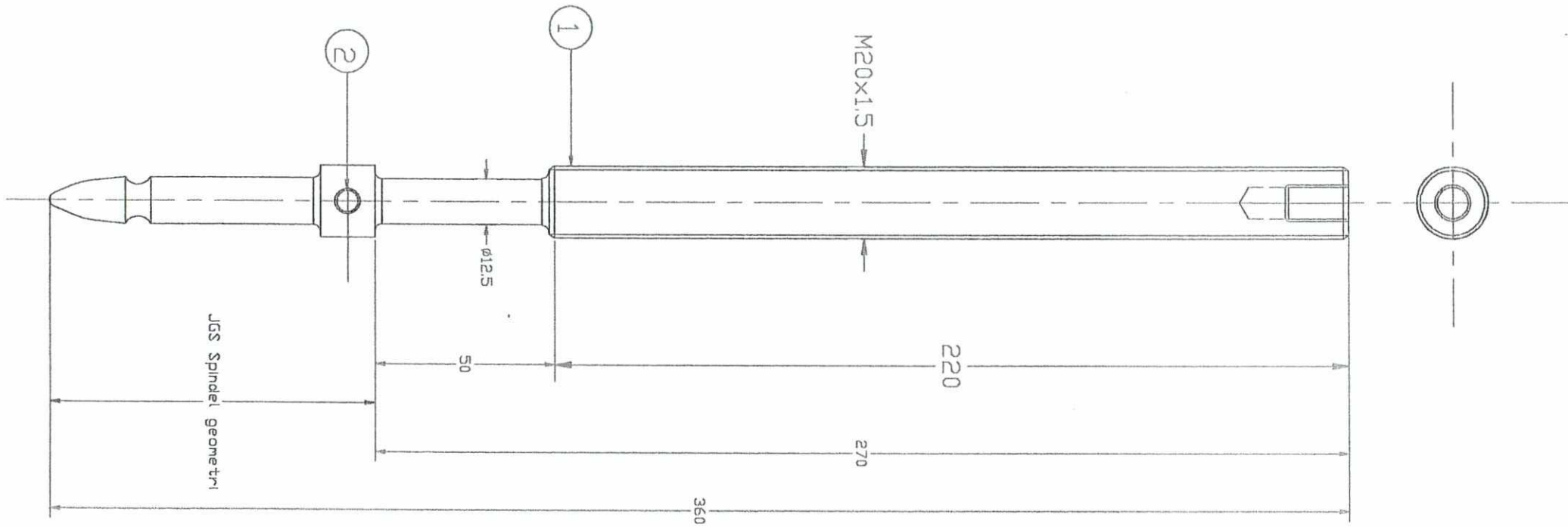
1 : Aluminium Ø30 x 1566

 AMR ENGINEERING AS	NSB-GARDEMOBANEN AS	Date : 28. nov -98
	Justerbar utliggerkonsoll	Konstr : PHM/BjH
<small>This drawing is a property of AMR Engineering AS and shall not be reproduced or distributed outside the system network of AMR Engineering AS.</small>	<i>del nr 2</i> Mellom aksel	




1 : Rustfri M165 ø20 x 515

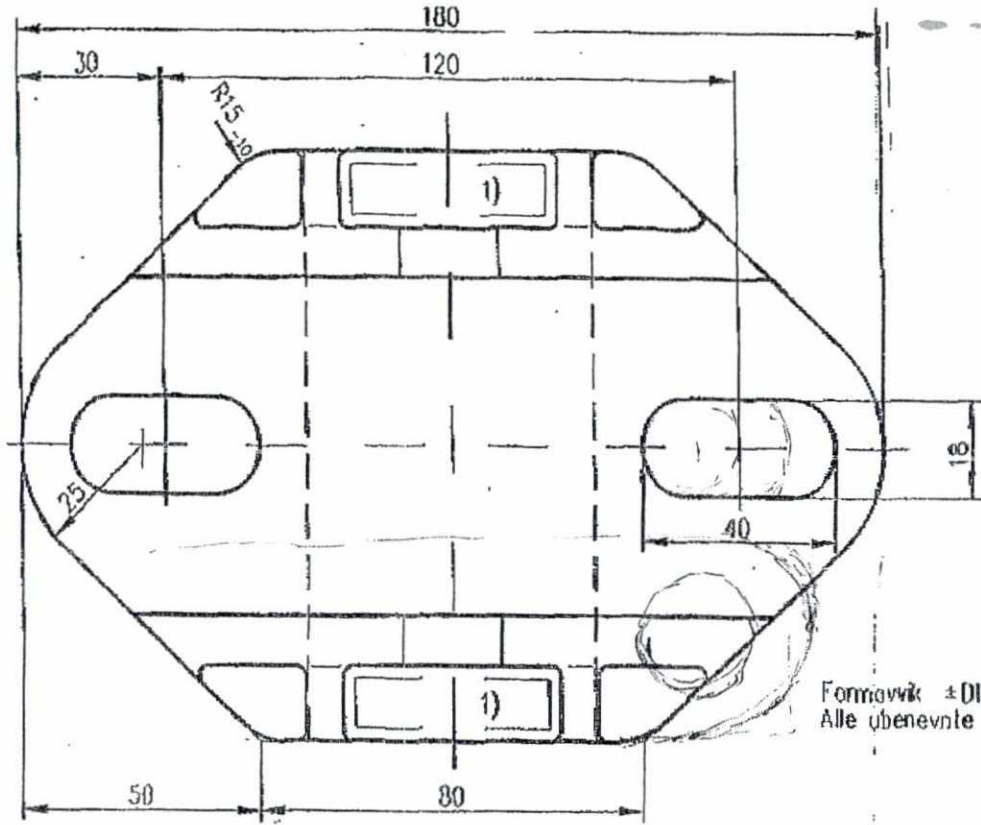
 AMR ENGINEERING AS	NSB-GARDEMOBANEN AS	Date : 27. nov -96
	Justerbar utliggerkonsoll <i>del nr 3</i>	Konstr : PHM/BJH
<small>This drawing is a property of AMR Engineering A/S and shall not be communicated to third parties without the written consent of AMR Engineering A/S.</small>	Nedre aksel	



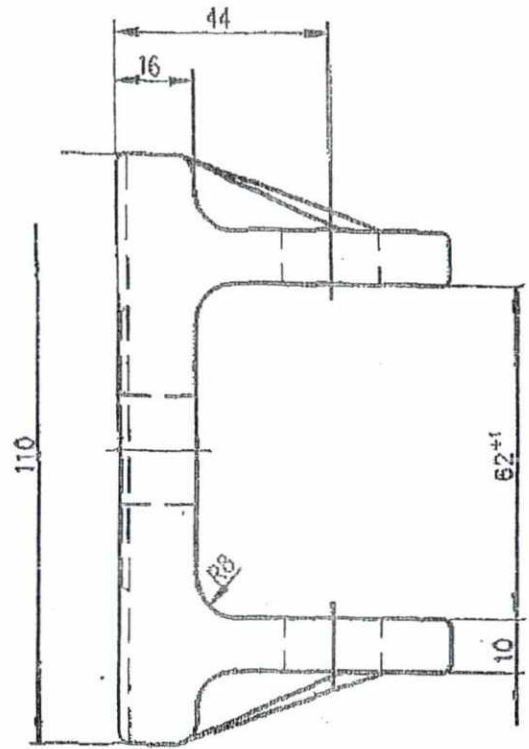
2 : Rustfri JGS "tverrpinne"
 1 : Seigherdet rustfri M165 $\varnothing 20 \times 360$

 AMR ENGINEERING AS	NSB-GARDEMOBANEN AS	Dato : 28. nov -96
	Justerbar utliggerkonsoll	Konstr : PHM/BJH
<small>This drawing is a property of AMR Engineering A/S and shall not be constructed or third parties without the written consent of AMR Engineering A/S.</small>	Del nr 4	
	Spindel	

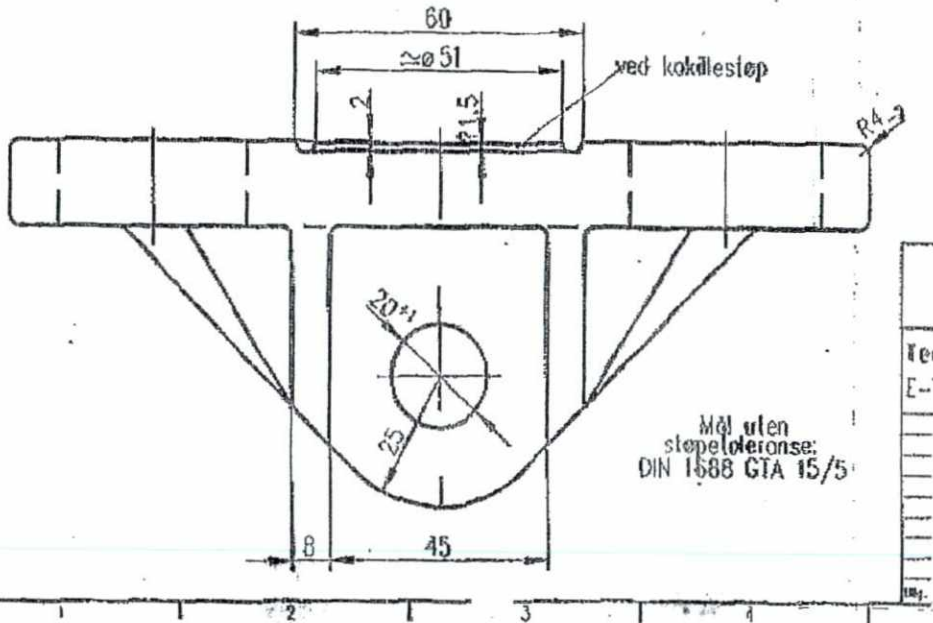
Alle Rechte vorbehalten. Nachdruck, Vervielfältigung und Verbreitung, auch auszugsweise, ist ohne schriftliche Genehmigung der NSB Gardermobanen AS.



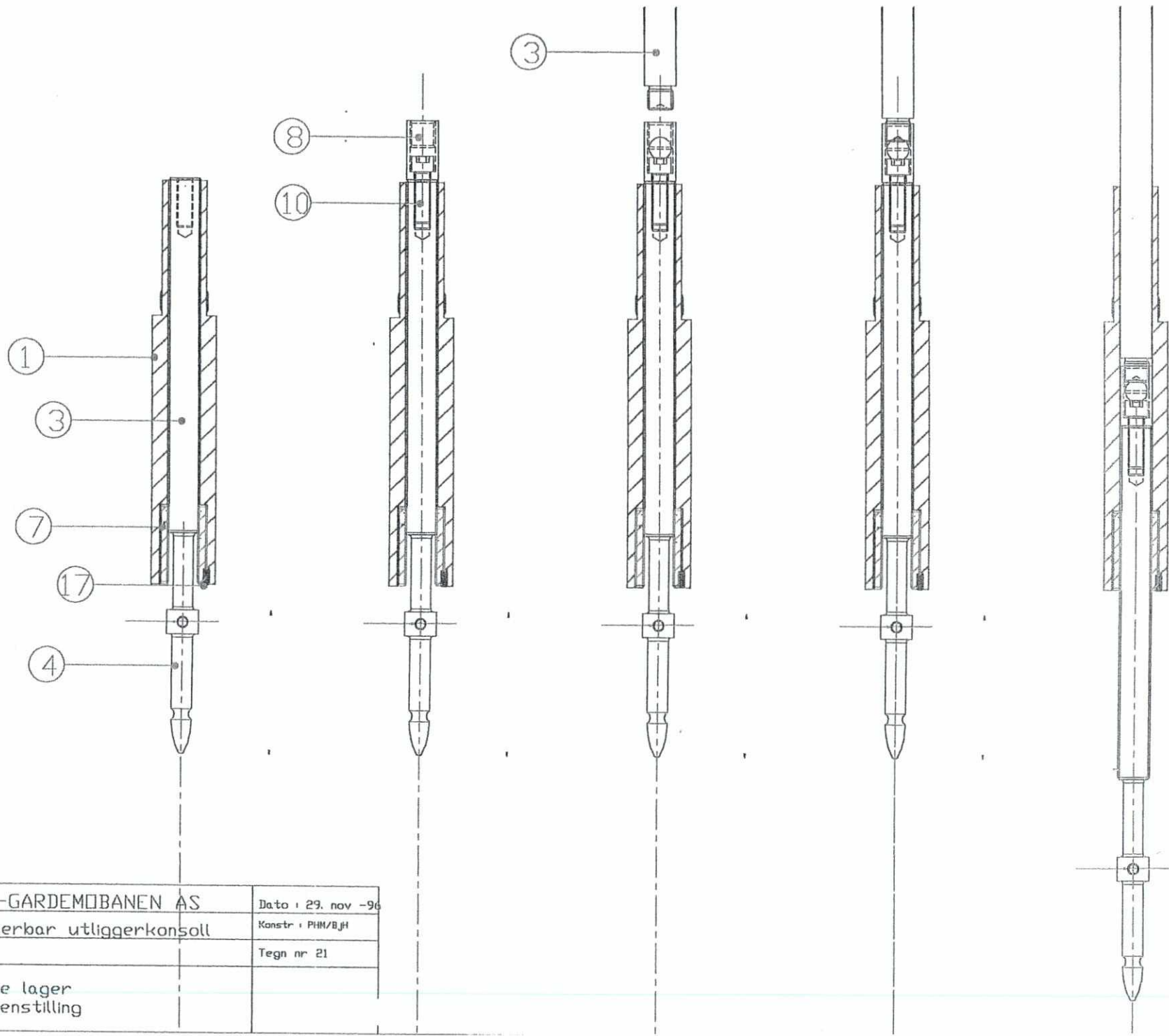
Formavvik ±DIN 1511
Alle ubenevnte radier er R=2mm




Støpelegering DIN 1725-G-/GK-MS i 7 Mg wa



Mål uten
støpeleeranse:
DIN 1588 GTA 15/5



 AMR ENGINEERING AS <small>This drawing is a property of AMR Engineering AS and shall not be reproduced in total or in part without the written consent of AMR Engineering AS.</small>	NSB-GARDEMOBANEN AS	Dato : 29. nov -96
	Justerbar utliggerkonsoll	Konstr : PHM/BJH
		Tegn nr 21
	Nedre lager Sammenstilling	